

## SERIES 490A-HKIT | HYDRONIC DIFFERENTIAL PRESSURE METER KIT

### FEATURES/BENEFITS

- Up to 0.5% FS accuracy
- Digital dampening for low pressure - high resolution logging stability
- Seven user-selectable English and metric units
- Automatic resolution adjustment for finer control
- Hard carrying case protects products
- Stores up to 40 readings for later recall
- Backlight for use in dim areas



### APPLICATIONS

- Chiller to coils for freeze protection
- Hydronic valve balancing
- Measure pressure drop across pumps
- Refrigerant pressure testing

### DESCRIPTION

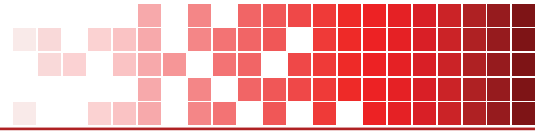
The **SERIES 490A-HKIT** features the 490A Hydronic Differential Pressure Manometer with all the necessary attachments and accessories to meet all your balancing, measuring, and pressure needs. The manometer featured in this kit is a versatile, handheld, battery operated manometer available in several ranges for positive or positive differential pressure measurement and can tolerate most liquid media compatible with 316LSS. A new feature added to the Series 490A is a field adjustable damping, which allows the user to choose the level of display averaging rate corresponding to the fluctuation level common in many applications.



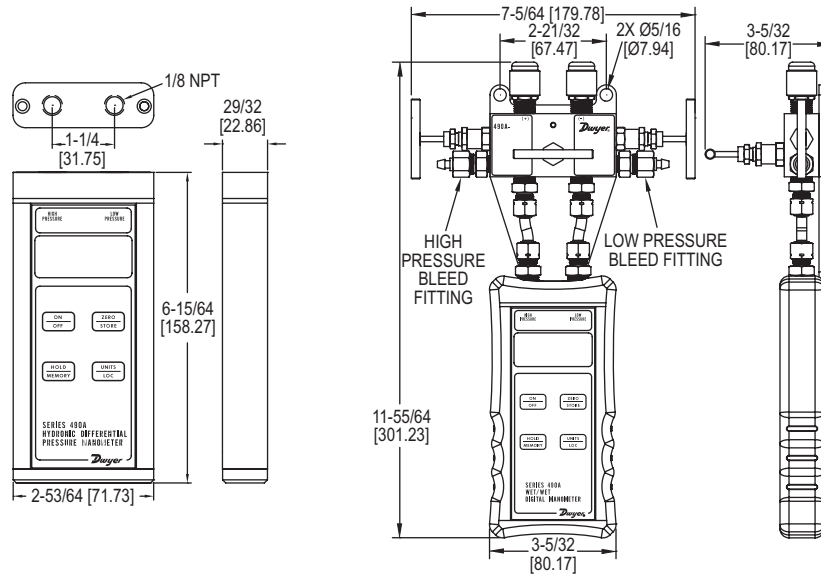
### SPECIFICATIONS

<b>Service</b>	Compatible gases and liquids.
<b>Wetted Materials</b>	316LSS, PTFE, brass, copper.
<b>Accuracy</b>	±0.5% FS from 60 to 78°F (15.6 to 25.6°C); ±1.5% FS from 32 to 60°F (0 to 15.6°C) and 78 to 104°F (25.6 to 40°C).
<b>Pressure Hysteresis</b>	±0.1% FS.
<b>Pressure Limits</b>	See "HOW TO ORDER" section.
<b>Electronic Temperature Limits</b>	32 to 140°F (0 to 60°C).
<b>Process Temperature Limits</b>	-20 to 180°F (-28.9 to 82.2°C).
<b>Process Temperature Limits</b>	-4 to 176°F (-20 to 80°C).
<b>Display</b>	0.42" (10.7 mm) 4 digit LCD.
<b>Power Requirements</b>	9 V alkaline battery, installed non-functional, user replaceable.
<b>Weight</b>	3.6 lb.
<b>Process Connections</b>	Two male 45 Flare 1/4".
<b>Agency Approvals</b>	CE.





## DIMENSIONS



## HOW TO ORDER

Use the **bold** characters from the chart below to construct a product code.

<p><b>SERIES</b></p> <p><b>490A</b> - Hydronic Differential Pressure Manometer</p>	<p><b>RANGE</b></p> <p>-1 - 0 to 15 psi</p> <p>-2 - 0 to 30 psi</p> <p>-3 - 0 to 50 psi</p> <p>-4 - 0 to 100 psi</p> <p>-5 - 0 to 500 psi</p> <p>-6 - 0 to 200 psi</p>	<p><b>OPTION</b></p> <p><b>-HKIT</b> - Hydronic Meter Kit (Includes NIST)</p>
--	--	---

## ACCESSORIES

Model	Description
<b>A-402A</b>	Carrying case, tough gray nylon pouch protects any Series 490A manometer, double zippered for quick and easy access, belt loop that snaps closed, 7-1/2" H x 3" W x 2-1/4" D (191 x 76 x 57 mm)

Important Notice: Dwyer Instruments, Inc. reserves the right to make changes to or discontinue any product or service identified in this publication without notice. Dwyer advises its customers to obtain the latest version of the relevant information to verify, before placing any orders, that the information being relied upon is current.

